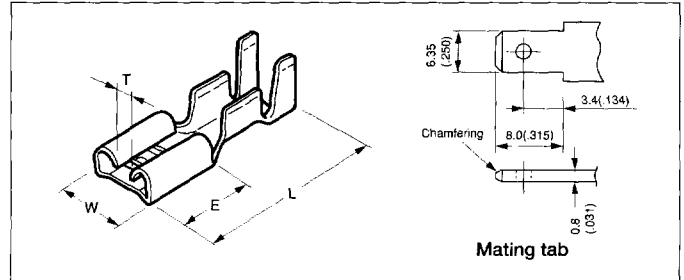


TAB-ON TERMINAL

250 Tab-on type

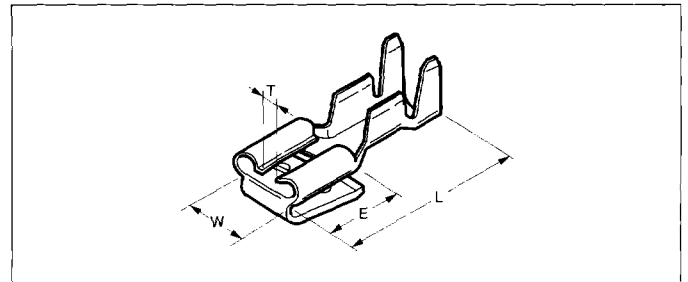


UL Listed file No. E70188 SP Certified file No. LR20812

Model No.	Standard	Applicable wire			Material	Finish	Dimensions mm(in.)					Q'ty / reel	
		mm ²	AWG #	Insulation O.D. mm(in.)			W	L	E	T approx.	Material thickness		Mating tab thickness
STO-21-250N	UL SP	0.3 to 0.75	22 to 18	2.3 to 3.0 (.091 to .118)	Brass	-	7.7 (.303)	19.0 (.748)	7.8 (.307)	2.4 (.094)	0.4 (.016)	0.8 (.031)	5,000
STO-21T-250N	UL SP					Tin-plated							
STO-61-250N	UL SP	0.75 to 2.0	18 to 14	2.8 to 3.8 (.110 to .150)		-							
STO-61T-250N	UL SP					Tin-plated							
STO-81-250N	UL SP	2.0 to 3.5	14 to 12	3.8 to 5.0 (.150 to .197)		-	19.6 (.722)	8.0 (.315)	1.6 (.063)	0.45 (.018)	4,000		
STO-81T-250N	UL SP					Tin-plated							
*STO-62T-250N		UL1015#20+UL1015#20 UL1015#18+UL1015#20 UL1015#18+UL1015#18				Tin-plated	7.6 (.299)	19.0 (.748)					5,000

Note: Terminal denoted by * is used only for two wires. If using wires in other combinations than the ones shown above, contact JST.

250 Tab-on piggy back type

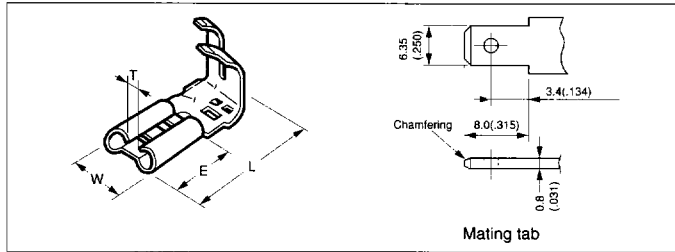


UL Listed file No. E70188 SP Certified file No. LR20812

Model No.	Standard	Applicable wire			Material	Finish	Dimensions mm(in.)					Q'ty / reel	
		mm ²	AWG #	Insulation O.D. mm(in.)			W	L	E	T approx.	Material thickness		Mating tab thickness
SFT-61T-250N	UL SP	0.75 to 2.0	18 to 14	2.8 to 3.9 (.110 to .154)	Brass	Tin-plated	7.6 (.299)	19.6 (.772)	8.3 (.327)	2.9 (.114)	0.39 (.015)	0.8 (.031)	3,000

TAB-ON TERMINAL

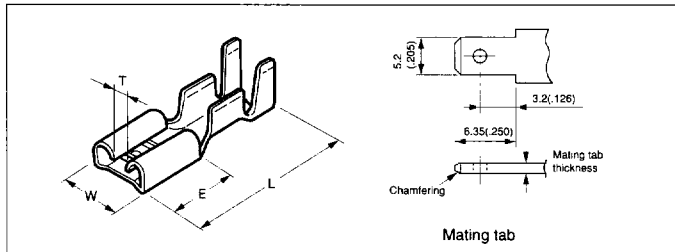
250 Tab-on flag type



UL Listed file No. E70188 SFI Certified file No. LR20812

Model No.	Standard	Applicable wire			Material	Finish	Dimensions mm(in.)					Q'ty / reel	
		mm²	AWG #	Insulation O.D. mm(in.)			W	L	E	T approx.	Material thickness		Mating tab thickness
SFO-61-250A	UL SFI	0.75 to 2.0	18 to 14	2.8 to 3.8 (.110 to .150)	Brass	—	8.0 (.315)	16.1 (.634)	7.8 (.307)	3.0 (.118)	0.45 (.018)	0.8 (.031)	3,000
SFO-61T-250A	UL SFI					Tin-plated							

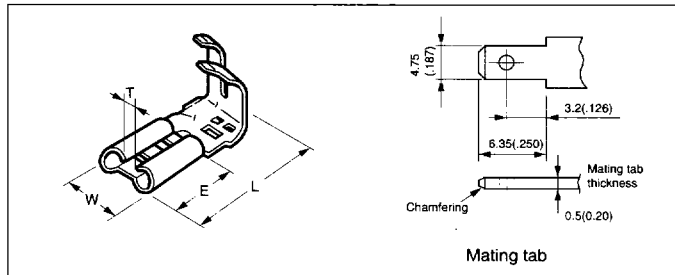
205 Tab-on type



UL Listed file No. E70188 SFI Certified file No. LR20812

Model No.	Standard	Applicable wire			Material	Finish	Dimensions mm(in.)					Q'ty / reel	
		mm²	AWG #	Insulation O.D. mm(in.)			W	L	E	T approx.	Material thickness		Mating tab thickness
STO-21-205N	UL SFI	0.3 to 0.75	22 to 18	2.3 to 3.0 (.091 to .118)	Brass	—	6.4 (.252)	15.9 (.626)	6.4 (.252)	0.7 (.028)	0.4 (.016)	0.8 (.031)	7,500
STO-21T-205N	UL SFI					Tin-plated							
STO-21-205N-5	UL SFI					—							
STO-21T-205N-5	UL SFI					Tin-plated							

187 Tab-on flag type

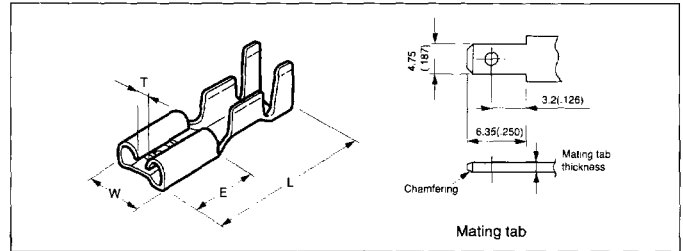


UL Listed file No. E70188 SFI Certified file No. LR20812

Model No.	Standard	Applicable wire			Material	Finish	Dimensions mm(in.)					Q'ty / reel	
		mm²	AWG #	Insulation O.D. mm(in.)			W	L	E	T approx.	Material thickness		Mating tab thickness
SFO-41-187N	UL SFI	0.5 to 1.25	20 to 16	2.6 to 3.5 (.102 to .138)	Brass	—	5.6 (.220)	12.3 (.484)	6.4 (.252)	1.0 (.039)	0.32 (.013)	0.5 (.020)	5,000
SFO-41T-187N	UL SFI					Tin-plated							

TAB-ON TERMINAL

187 Tab-on type

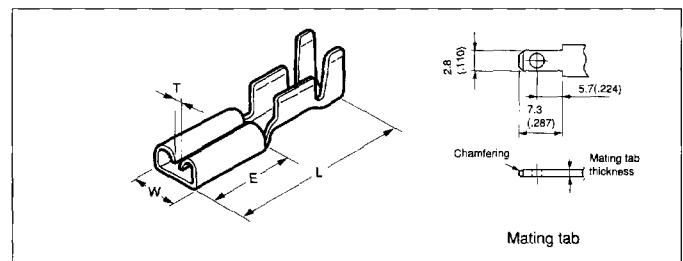


UL Listed file No. E70188 SF Certified file No. LR20812

Model No.	Standard	Applicable wire			Material	Finish	Dimensions mm(in.)					Q'ty / reel	
		mm²	AWG #	Insulation O.D. mm(in.)			W	L	E	T approx.	Material thickness		Mating tab thickness
STO-01-187N	UL SF	0.2 to 0.5	24 to 20	1.5 to 2.6 (.060 to .102)	Brass	-	5.6 (.220)	15.0 (.591)	6.3 (.248)	1.5 (.059)	0.32 (.013)	0.5 (.020)	10,000
STO-01T-187N	UL SF					Tin-plated						0.8 (.031)	
STO-01-187N-8	UL SF					-						-	
STO-01T-187N-8	UL SF	-	-	-	-	Tin-plated	-	-	-	-	-	-	-
STO-41-187N	UL	0.5 to 1.25	20 to 16	2.6 to 3.5 (.102 to .138)	Brass	-	5.6 (.220)	15.0 (.591)	6.3 (.248)	1.5 (.059)	0.32 (.013)	0.5 (.020)	10,000
STO-41T-187N	UL SF					Tin-plated						0.8 (.031)	
STO-41-187N-8	UL SF					-						-	
STO-41T-187N-8	UL SF	-	-	-	-	Tin-plated	-	-	-	-	-	-	-
STO-62T-187N*	UL SF	UL1015#20+UL1015#20 UL1015#18+UL1015#20 UL1015#18+UL1015#18			Brass	Tin-plated	5.6 (.220)	19.6 (.772)	6.4 (.252)	1.5 (.059)	0.32 (.013)	0.5 (.020)	4,000
STO-82T-187N*	UL SF	UL1015#18+UL1015#18 UL1015#18+UL1015#16 UL1015#16+UL1015#16			Brass	Tin-plated	5.6 (.220)	19.6 (.772)	6.4 (.252)	1.5 (.059)	0.32 (.013)	0.5 (.020)	4,000

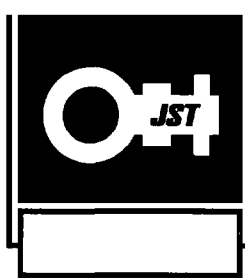
Note: Terminal denoted by * is used only for two wires. If using wires in other combinations than the ones shown above, contact JST.

110 Tab-on type



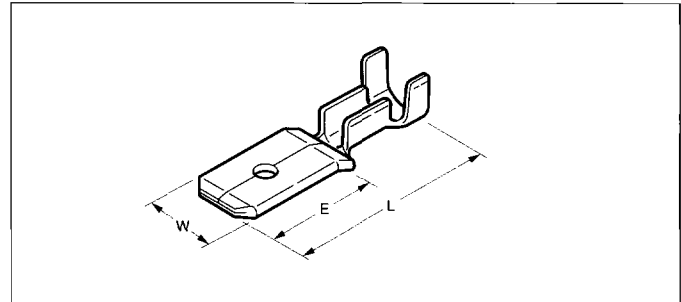
UL Listed file No. E70188 SF Certified file No. LR20812

Model No.	Standard	Applicable wire			Material	Finish	Dimensions mm(in.)					Q'ty / reel	
		mm²	AWG #	Insulation O.D. mm(in.)			W	L	E	T approx.	Material thickness		Mating tab thickness
STO-01-110N	UL SF	0.2 to 0.5	24 to 20	2.1 to 2.8 (.083 to .110)	Brass	-	3.7 (.146)	15.4 (.606)	6.3 (.248)	0.6 (.024)	0.25 (.010)	0.5 (.020)	10,000
STO-01T-110N	UL SF					Tin-plated						0.8 (.031)	
STO-01-110N-8	UL SF					-						-	
STO-01T-110N-8	UL SF	-	-	-	-	Tin-plated	-	-	-	-	-	-	-
STO-41-110N	UL SF	0.5 to 1.25	20 to 16	2.6 to 3.5 (.102 to .138)	Brass	-	3.7 (.146)	15.4 (.606)	6.3 (.248)	0.6 (.024)	0.25 (.010)	0.5 (.020)	10,000
STO-41T-110N	UL SF					Tin-plated						0.8 (.031)	
STO-41-110N-8	UL SF					-						-	
STO-41T-110N-8	UL SF	-	-	-	-	Tin-plated	-	-	-	-	-	-	-



TAB-ON-TAB TERMINAL

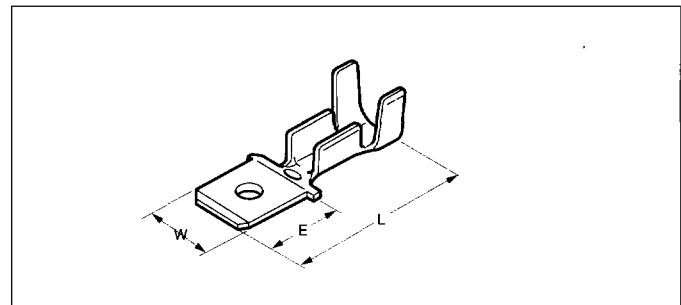
250 Tab-on tab type



UL Listed file No. E70188

Model No.	Standard	Applicable wire			Material	Finish	Dimensions mm(in.)					Q'ty / reel
		mm ²	AWG #	Insulation O.D. mm(in.)			W	L	E	Material thickness	Tab thickness	
SOM-51-250	UL	0.5 to 2.0	20 to 14	2.6 to 3.8 (.102 to .150)	Brass	—	6.35	20.6	9.8	0.4	0.8	5,000
SOM-51T-250						Tin-plated	(.250)	(.811)	(.386)	(.016)	(.031)	

187 Tab-on tab type



UL Listed file No. E70188

Model No.	Standard	Applicable wire			Material	Finish	Dimensions mm(in.)					Q'ty / reel
		mm ²	AWG #	Insulation O.D. mm(in.)			W	L	E	Material thickness	Tab thickness	
SOM-21-187	UL	0.3 to 0.75	22 to 18	2.3 to 3.0 (.091 to .118)	Brass	—	4.75	17.2	6.35	0.5	0.5	10,000
SOM-21T-187						Tin-plated	(.187)	(.677)	(.250)	(.020)	(.020)	